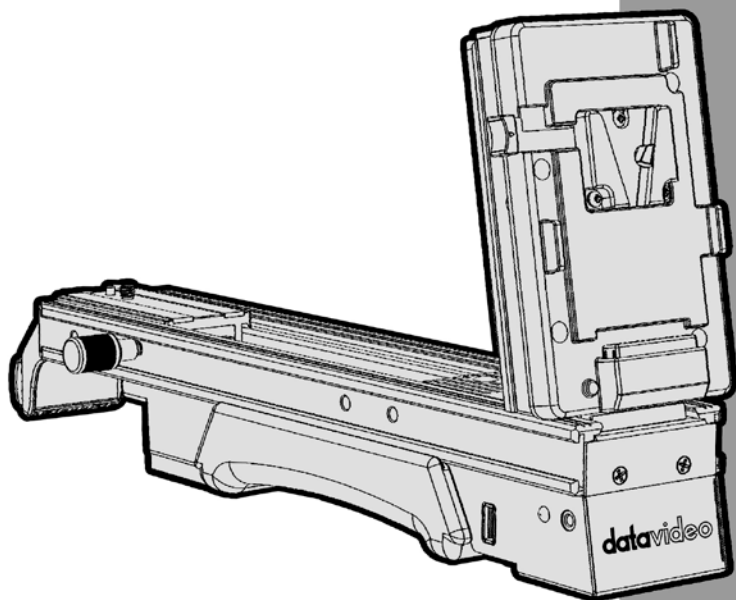


datavideo



CAMERA SLED

SLD-1

Instruction Manual

www.datavideo.com

Table of Contents

WARRANTY	2
STANDARD WARRANTY.....	2
TWO YEAR WARRANTY.....	2
DISPOSAL	2
PACKING LIST	2
INTRODUCTION	3
FEATURES	3
EXTERNAL CONNECTIONS	3
APPLICATION DIAGRAMS	5
CAMERA AND AD-2.....	5
ON TRIPOD.....	5
CAMERA AND V-MOUNT BATTERY.....	5
DIMENSIONS	6
SPECIFICATIONS	6
SERVICE & SUPPORT	7

Warranty

Standard Warranty

- Datavideo equipment is guaranteed against any manufacturing defects for one year from the date of purchase.
- The original purchase invoice or other documentary evidence should be supplied at the time of any request for repair under warranty.
- Damage caused by accident, misuse, unauthorized repairs, sand, grit or water is not covered by this warranty.
- All mail or transportation costs including insurance are at the expense of the owner.
- All other claims of any nature are not covered.
- Cables & batteries are not covered under warranty.
- Warranty only valid within the country or region of purchase.
- Your statutory rights are not affected.

Two Year Warranty

- All Datavideo products purchased after 01-Oct.-2008 qualify for a free one year extension to the standard Warranty, providing the product is registered with Datavideo within 30 days of purchase. For information on how to register please visit www.datavideo.com or contact your local Datavideo office or authorized Distributors
- Certain parts with limited lifetime expectancy such as LCD Panels, DVD Drives, Hard Drives are only covered for the first 10,000 hours, or 1 year (whichever comes first).

Any second year warranty claims must be made to your local Datavideo office or one of its authorized Distributors before the extended warranty expires.

Disposal



For EU Customers only - WEEE Marking.

This symbol on the product indicates that it will not be treated as household waste. It must be handed over to the applicable take-back scheme for the recycling of Waste Electrical and Electronic Equipment. For more detailed information about the recycling of this product, please contact your local Datavideo office.

Packing List

1	X	SLD-1 SLED Unit
1	X	Quick Start Guide

Introduction

SLD-1 Camera SLED is a shoulder mount rig for offering comfortable and professional operation. It perfectly accommodates many popular cameras from major camera manufacturers.

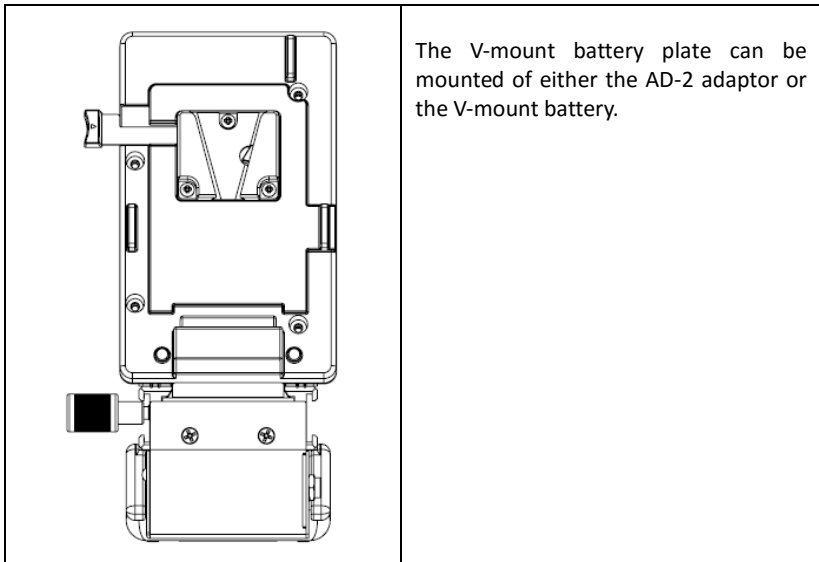
Equipped with rear V-mount battery plate, the SLD-1 Camera SLED has extra power options and allows for other accessories to be mounted to the back like AD-2 adaptor. There is also a D-Tap connector to supply power to camera.

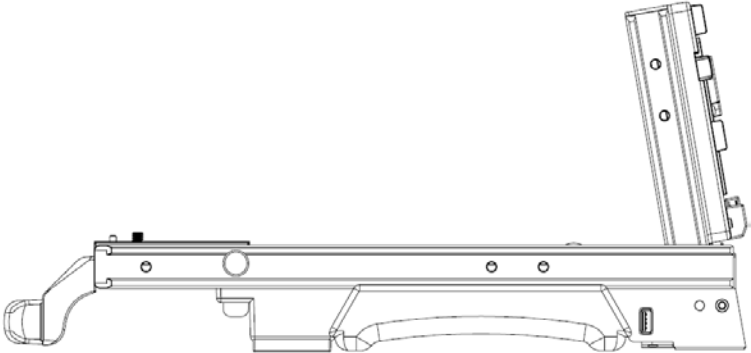




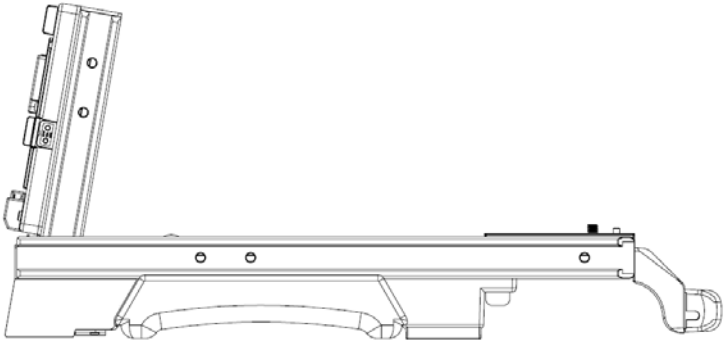

A USB port is included to supply power to LED light. Also, two bi-color tally LED lights are provided to serve as indications to the camera crew.

Features

- Light & robust aluminium die-cast body
- Great weight balance
- Power supply from V-mount battery
- USB port for LED light
- Two bi-color tally LED lights

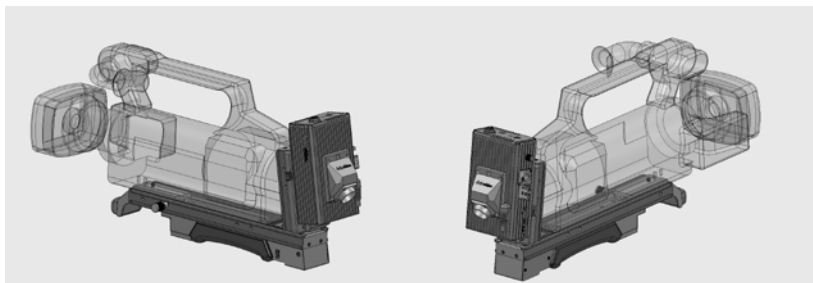
External Connections



		
	USB Port	The USB port serves as the LED Light power supply.
	Tally IN	<p>The tally light signal comes from the AD-2 adaptor when the V-mount battery plate is mounted of the AD-2 device.</p> <p>The tally light signal comes from the ITC-100SL Intercom Belt Pack when the V-mount battery plate is mounted of the V-mount battery.</p>
	Bi-Color Tally LED	Red indicates LIVE Green indicates CUED
	Bi-Color Tally LED	Red indicates LIVE Green indicates CUED
		
	D-Tap Connector	Supply power to the camera

Application Diagrams

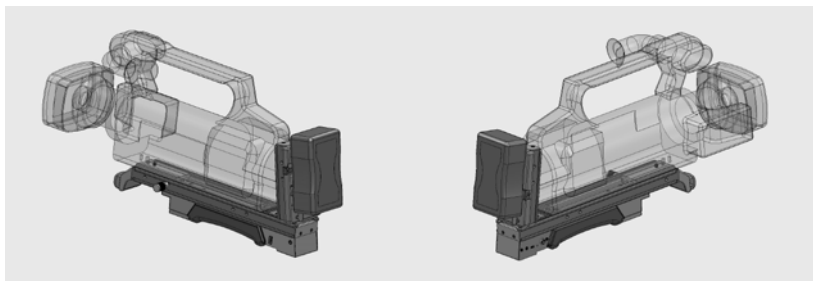
Camera and AD-2



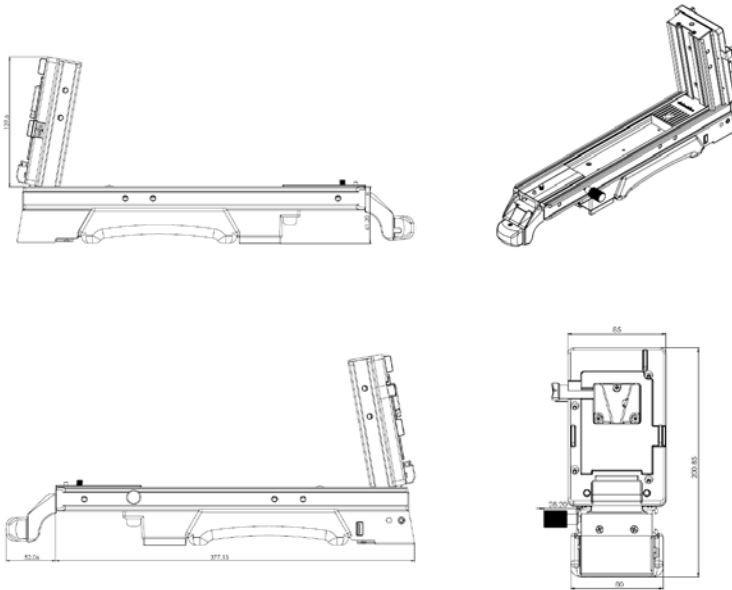
On Tripod



Camera and V-Mount Battery



Dimensions



Specifications

Power Input	V-mount battery plate
Power Output	D-Tap Connector
Tally Light	Two bi-color LED lights
LED Light Power Supply	USB
Dimension (mm)	377.13 x 85 x 139.6
Weight (kg)	1.890
Accessory	QSG

Service & Support

It is our goal to make owning and using Datavideo products a satisfying experience. Our support staff is available to assist you to set up and operate your system. Contact your local office for specific support requests. Plus, please visit www.datavideo.com to access our FAQ section.

Datavideo Taiwan

Datavideo Technologies Co. Ltd
10F, No. 176, Jian 1st Rd., Chung Ho
District, New Taipei City 235, Taiwan,
R.O.C.
Tel: +886-2-8227-2888
Fax: +886-2-8227-2777
E-mail: service@datavideo.com.tw

Datavideo USA

Datavideo Corporation
7048 Elmer Avenue.
Whittier, CA 90602,
U.S.A.
Tel: +1-562-696 2324
Fax: +1-562-698 6930
E-mail: sales@datavideo.us

Datavideo Hong Kong

Datavideo Hong Kong Ltd
G/F, 28 Cross Lane
Wanchai, Hong Kong
Tel: +852-2833-1981
Fax: +852-2833-9916
E-mail: info@datavideo.com.hk

Datavideo Europe

Datavideo Technologies Europe BV
Floridadreef 106
3585 AM Utrecht,
The Netherlands
Tel: +31-30-261-96-56
Fax: +31-30-261-96-57
E-mail: info@datavideo.nl

Datavideo China

Datavideo Technologies China Co
101, NO. 618, LiuYing Rd, Zhabei District,
Shanghai, China
Tel: +86 21-5603 6599
Fax: +86 21-5603 6770
E-mail: service@datavideo.cn

Datavideo France

Datavideo France s.a.r.l
Cité Descartes 1, rue Albert Einstein
Champs sur Marne
774477-Marne la Vallée cedex 2
Tel: +33-1-60370246
E-mail: info@datavideo.fr

Datavideo United Kingdom

Datavideo UK Limited
Units1 & 2 Waterside Business Park
Hadfield, Glossop, Derbyshire
SK13 1BE, UK
Tel: +44-1457 851 000
Fax: +44-1457 850 964
E-mail: sales@datavideo.co.uk

Datavideo Singapore

Datavideo Technologies (S) PTE Ltd
No. 178 Paya Lebar Road #06-03
Singapore 409030
Tel: +65-6749 6866
Fax: +65-6749 3266
E-mail: sales@datavideo.sg

Datavideo India

Datavideo Technologies India Pvt Ltd
A-132, Sec-63, Noida-201307,
Uttar Pradesh (UP), India.
Tel: +91-0120-2427337
Fax: +91-0120-2427338
E-mail: sales@datavideo.in



Please refer to our website for update the latest version manual.

www.datavideo.com/Camera+Control/SLD-1

datavideo

www.datavideo.com

All the trademarks are the properties of their respective owners. Datavideo Technologies Co., Ltd. All rights reserved 2018

Dec.04.2015 P/N: G082060589B1