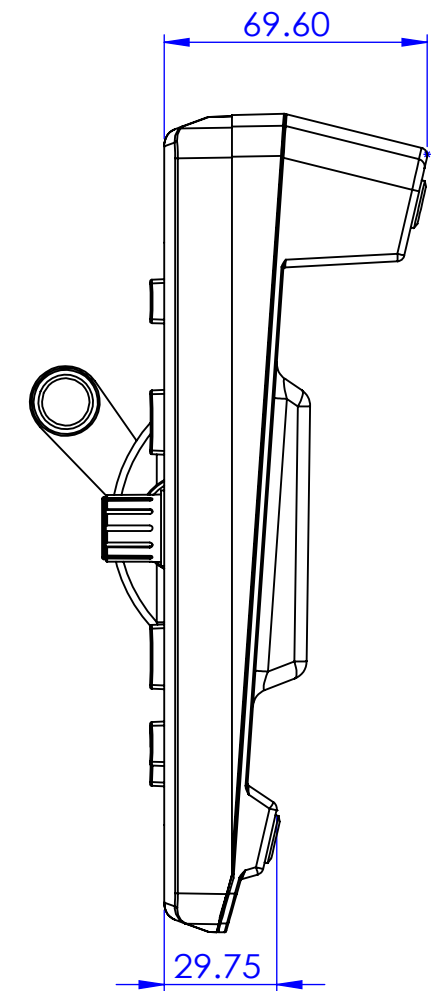
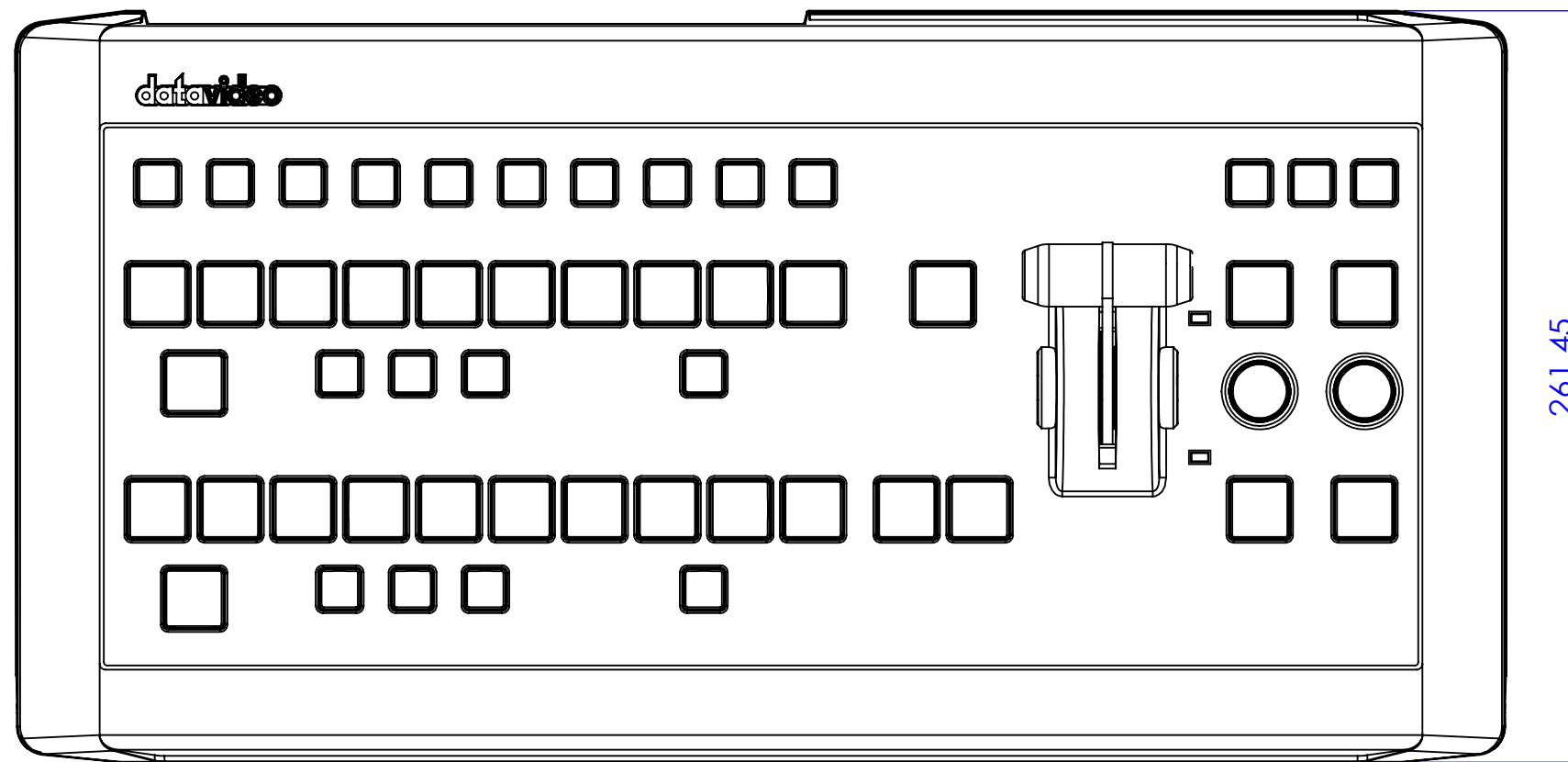
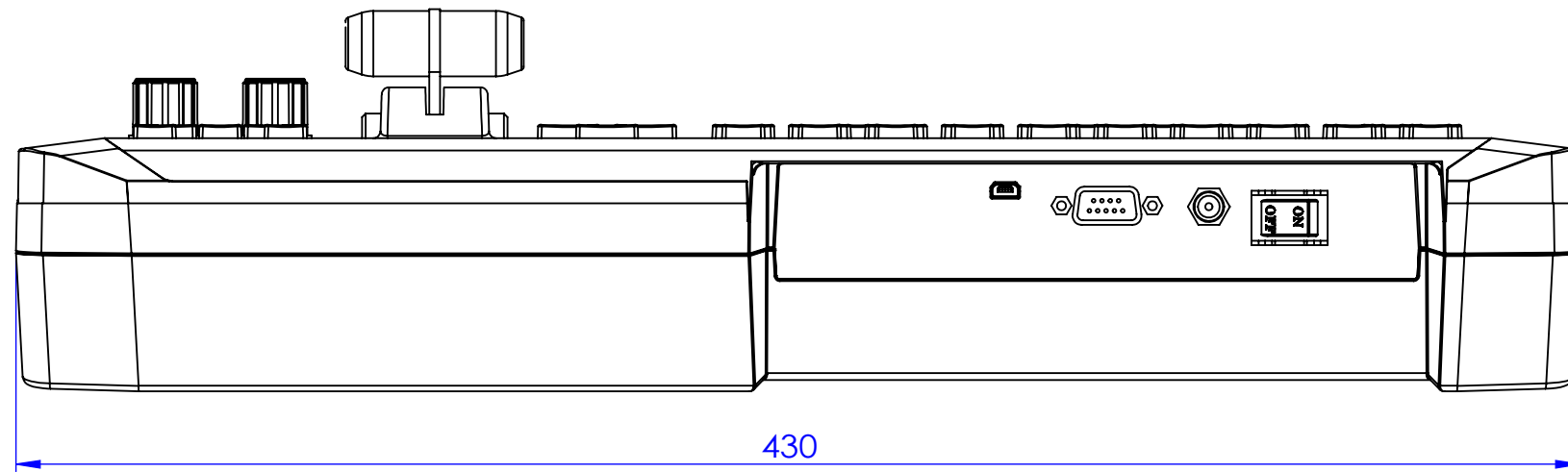
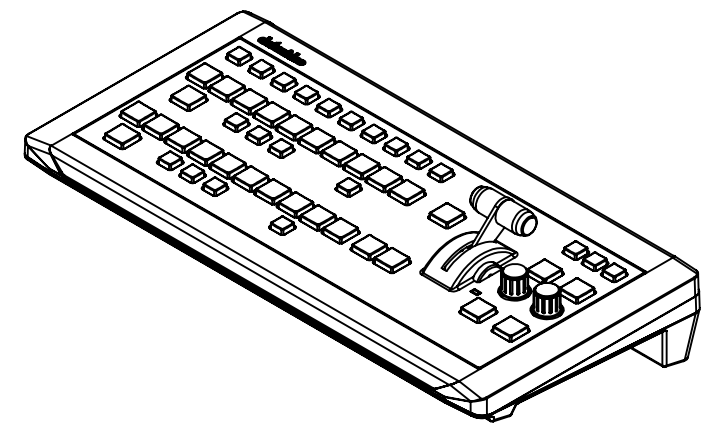


注意事項:  
 1. 未標註尺寸公差請參照Common Tolerance  
 2. 標註尺寸加框"□"為重點檢驗尺寸



Rev	ECN NO	Description	Drawing	Approved	Date

Common Tolerance		UNLESS OTHERWISE SPECIFIED DIMENSIONS ARE IN MILLIMETERS		Material: XXXXXXXX	<b>datavideo</b>				
10mm以下	±0.1	Angles Tolerance: ±0.5°		Finish: XXXXXXXX	Part Name: RMC-260 總組合 外觀尺寸				
10.01~50mm	±0.2			Part No: XXXXXXXX					
50.01~150mm	±0.3	Drawing	Design	Check	Approved	Model No: XXXXXXXX			
150.01~300mm	±0.4	Jim	Jim			Unit: mm	Scale: 1:2	Date: 2015/12/25	Quantity:
300.01mm以上	±0.5								